



TUC & TWT Parts Manual



TUC-44



TUC-67



TUC-36



TWT-27

TO PLACE AN ORDER OR OBTAIN INFORMATION:

WEB SITE:

www.truemfg.com (Visit our Parts eStore at: <http://estore.truemfg.com>)
Parts Department e-mail address: parts@truemfg.com

SEND INQUIRIES TO:

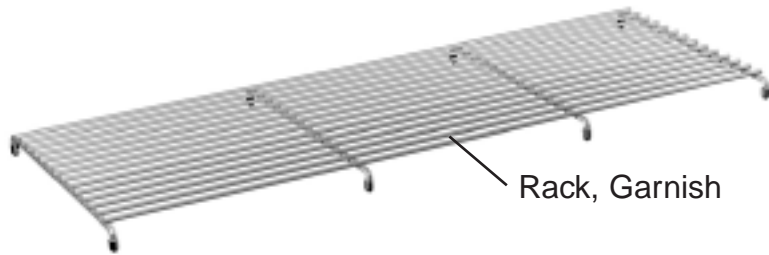
TRUE MANUFACTURING COMPANY, INC. ATTN: PARTS DEPARTMENT
St. Charles Industrial Center • P.O. Box 970 • O'Fallon, Missouri 63366 • U.S.A

CALL TOLL-FREE:

800-424-TRUE (Direct to Parts Department)
or 800-325-6152 (U.S.A & Canada only)
OR CALL: 636-240-2400

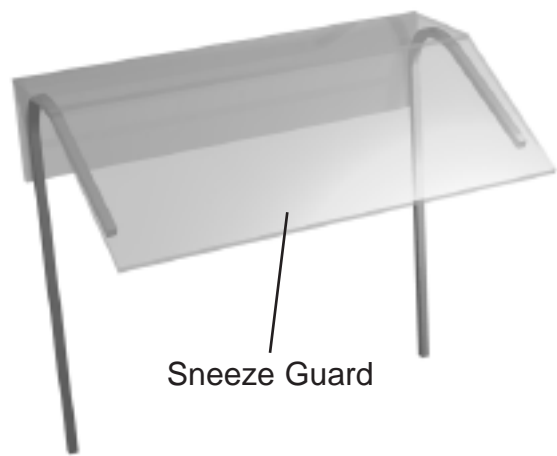
FAX: 636-272-9471

Accessories

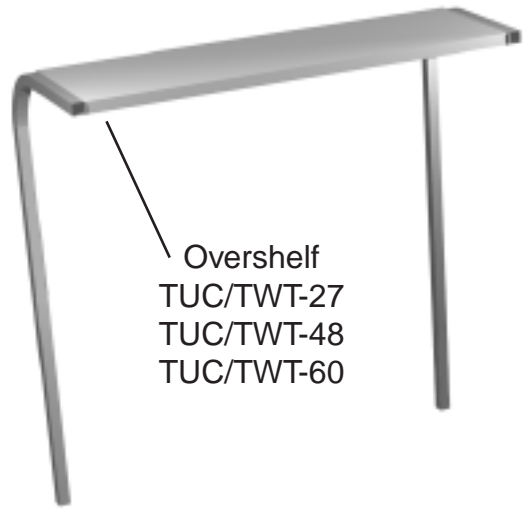


Rack, Garnish

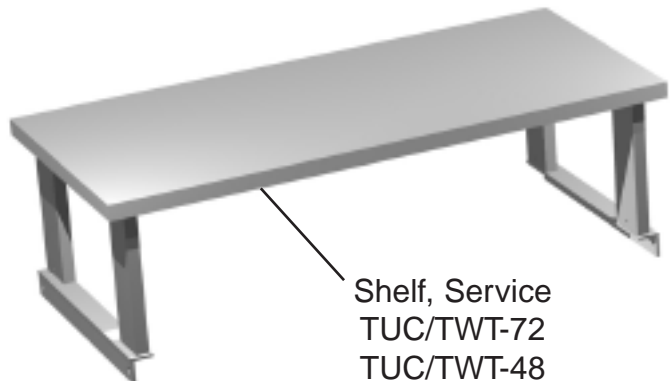
Cap, Leg, Garnish Rack



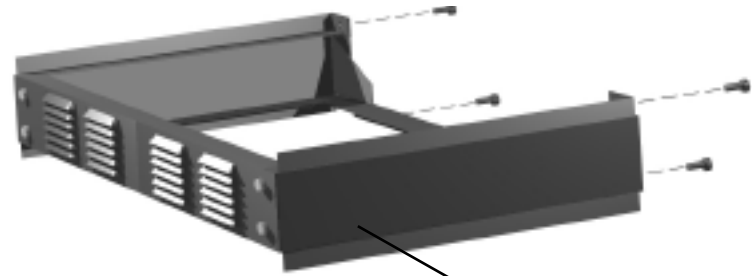
Sneeze Guard



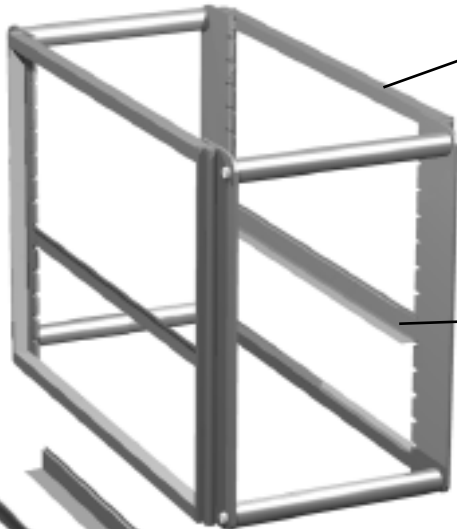
Overshelf
TUC/TWT-27
TUC/TWT-48
TUC/TWT-60



Shelf, Service
TUC/TWT-72
TUC/TWT-48
TUC/TWT-60

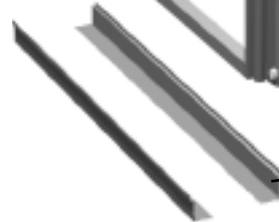


Stacking Collar

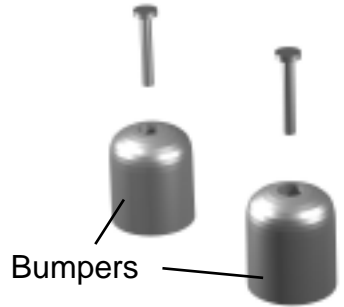


Bar

Rack, Bun Tray



Rail, Bun Tray
Rack

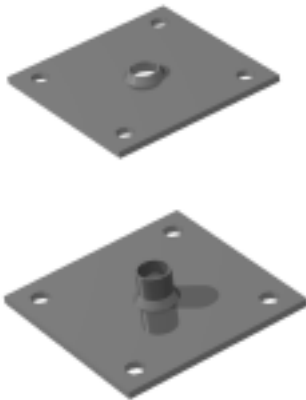


Bumpers

Castors, Legs & Levelers



Castors Stemmed 2 1/2"



Castor Leg Mounting Plate



Castors (Stemmed) 5"



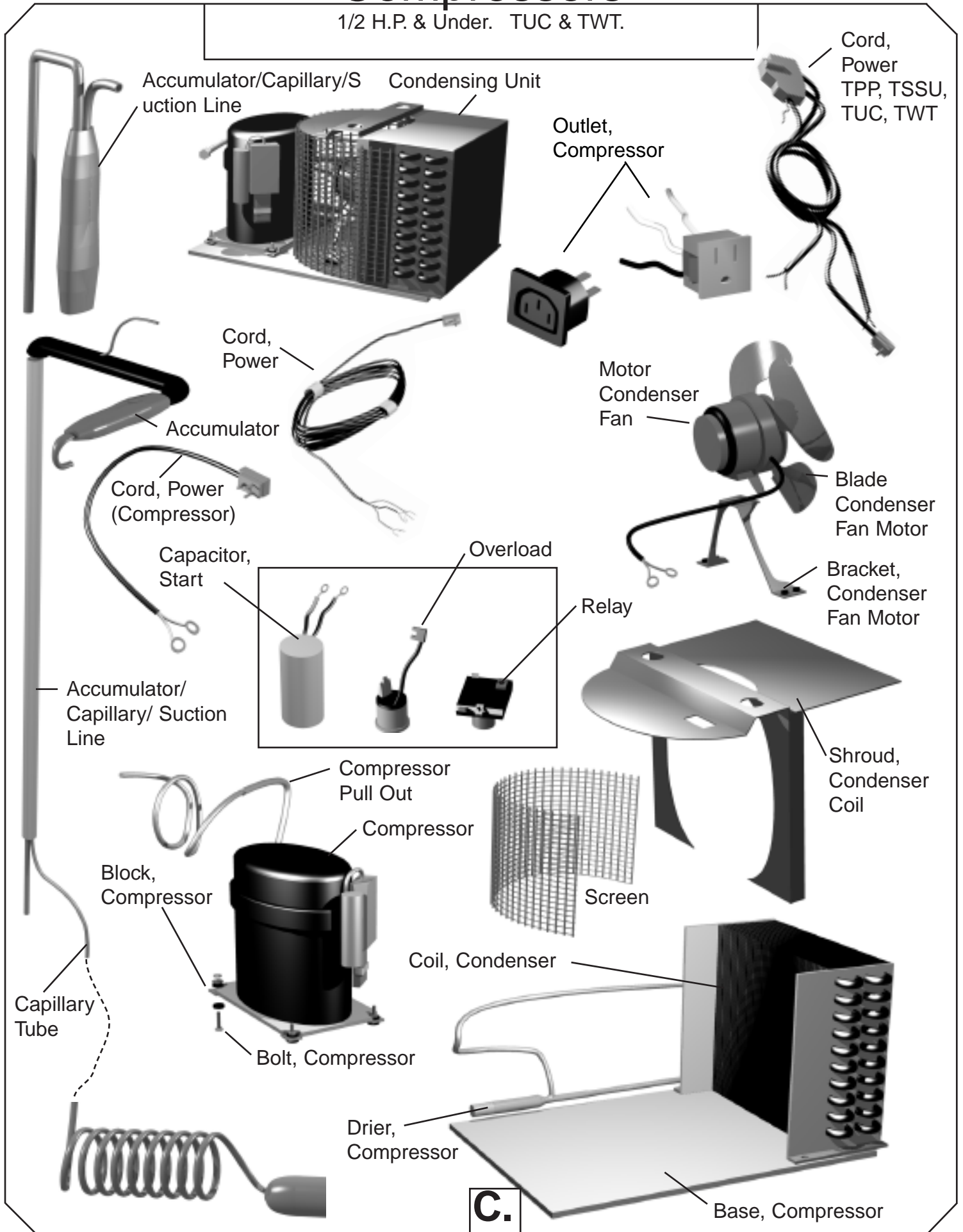
Legs Stemmed Standard



Leg, Seismec

Compressors

1/2 H.P. & Under. TUC & TWT.

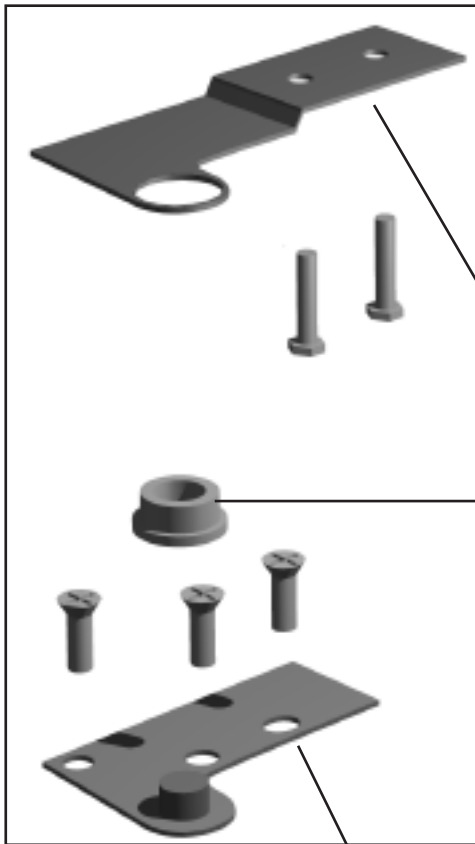


C.

Door Parts

TWT/TUC-44, 60-32, 67, 93, 119

Kit, Door Hinge (Top)



Bracket, Hinge

Bracket, Hinge

Bushing, Hinge

Base, Perimeter Plastic

Base, Gasket, Door (Plastic)

Kit, Gasket Base (Stainless)

Gasket

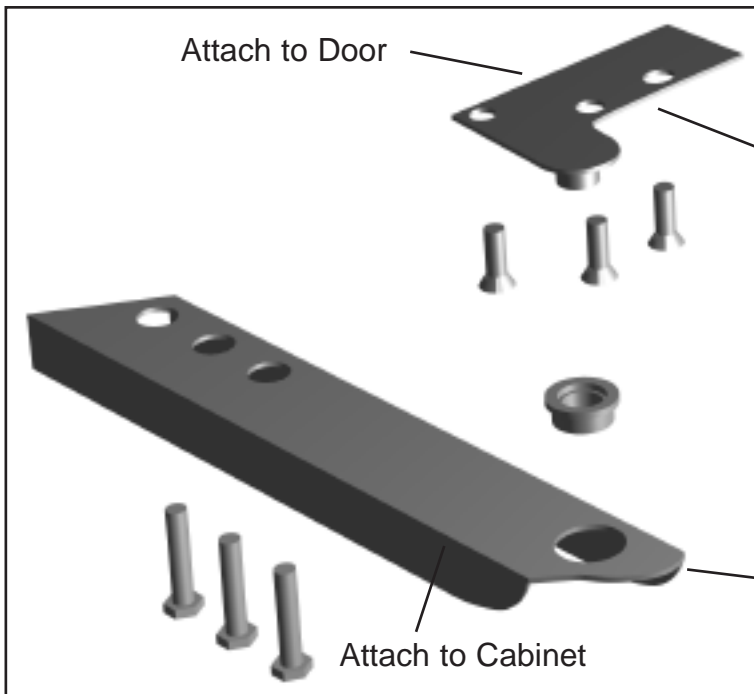
Handle

Gasket

Door with Recessed Handle

Door

Kit, Door Hinge (Bottom)



Attach to Door

Bracket, Hinge

Bracket, Hinge

Attach to Cabinet

Mullion Plastic



Insert, Door Mullion Stainless

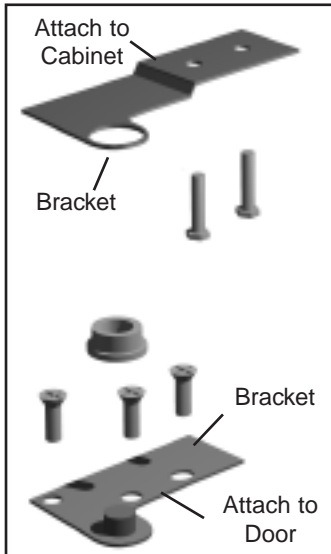
Mullion Assembly

D.

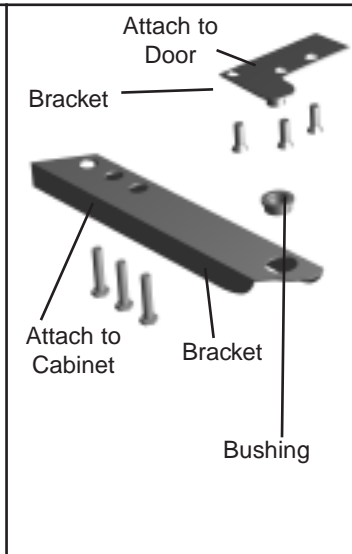
Door Parts

TUC, TWT 27,36,48,60,72

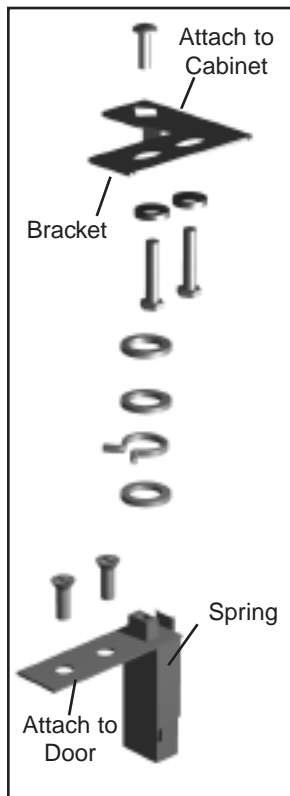
Kit, Door Hinge (top)



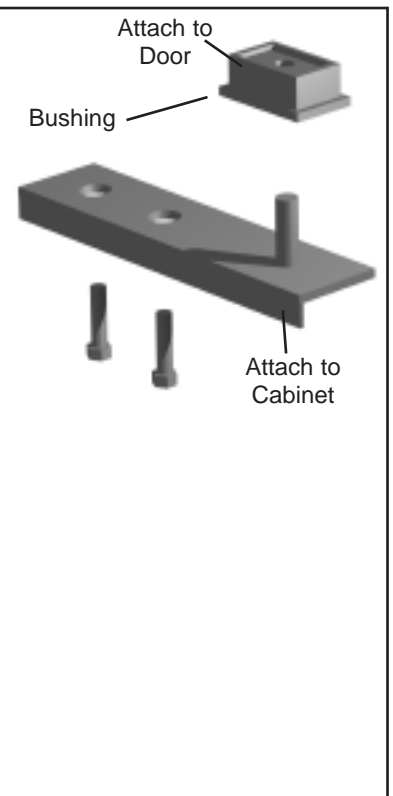
Kit, Door Hinge (bottom)



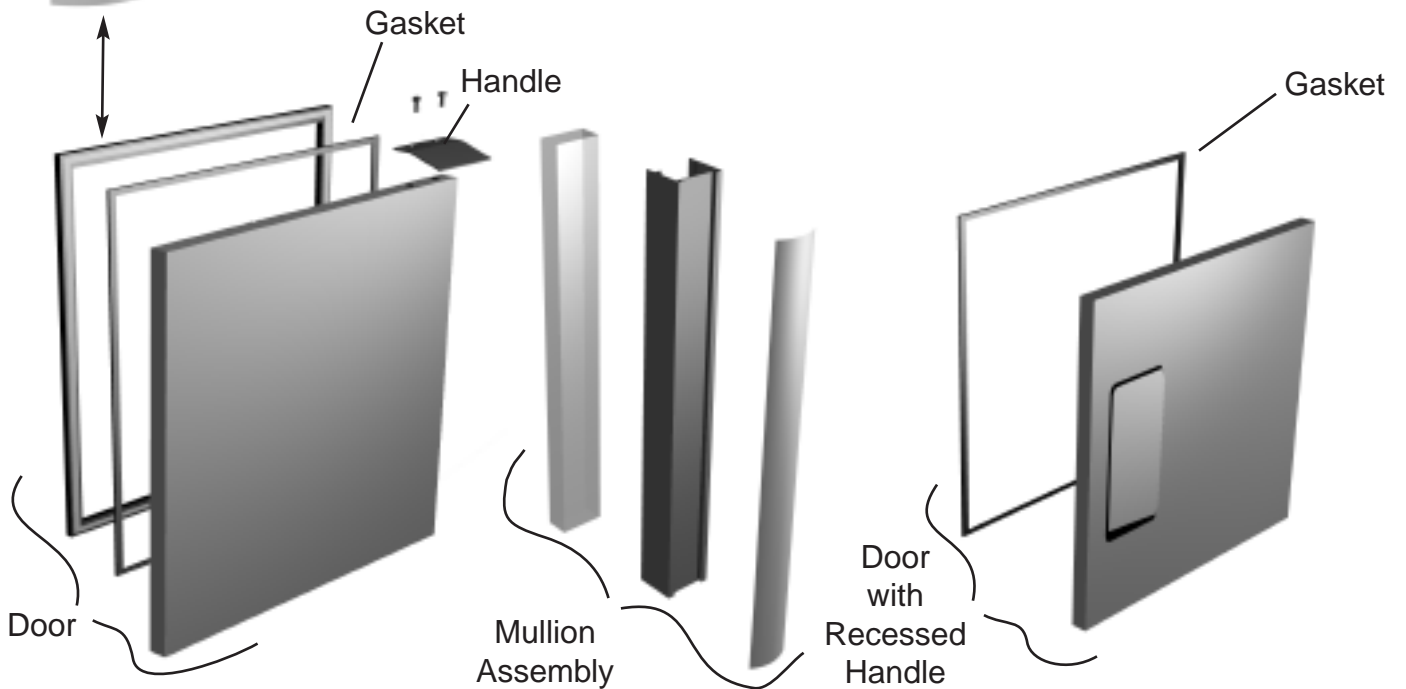
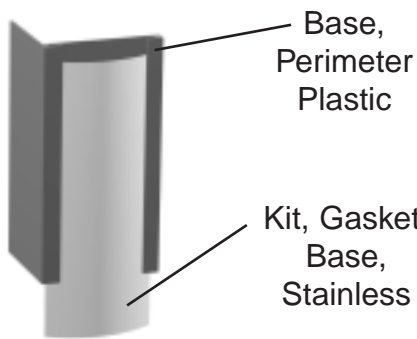
Kit, Door Hinge (top)



Kit, Door Hinge (bottom)



Center door on TSSU/TWT/TUC-72

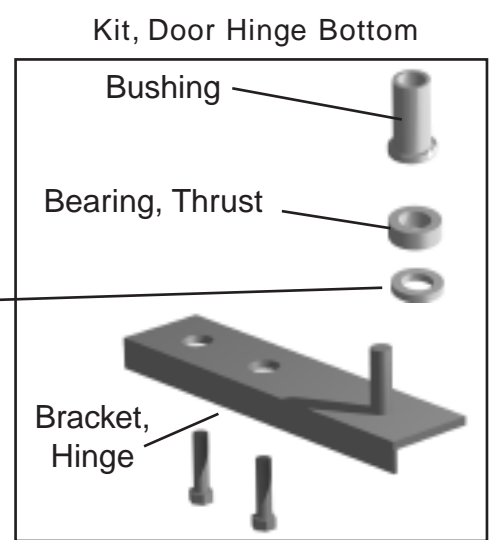
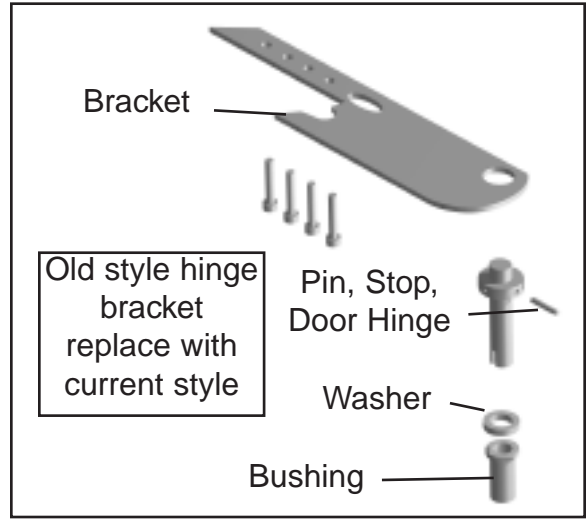
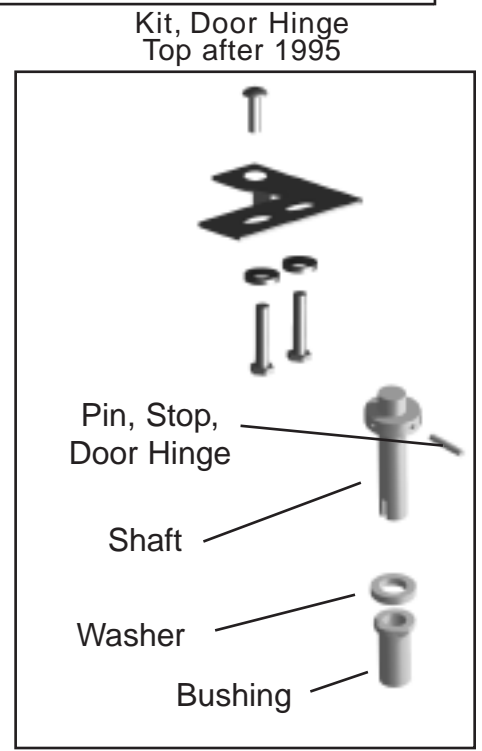
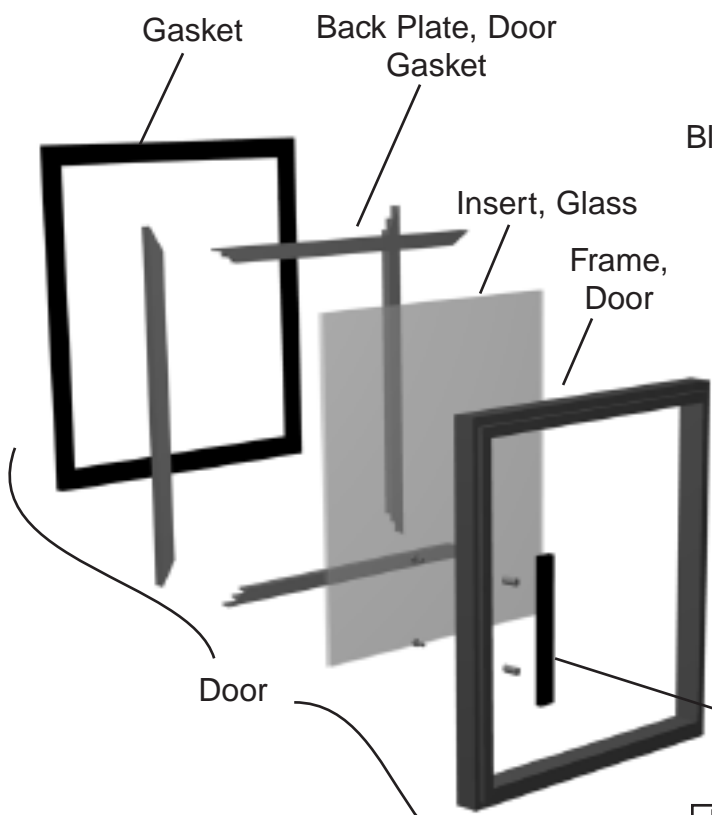
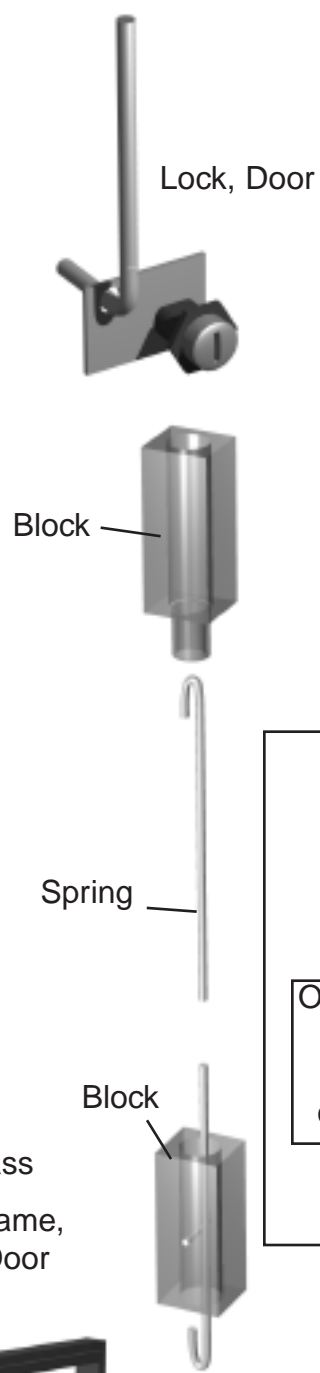
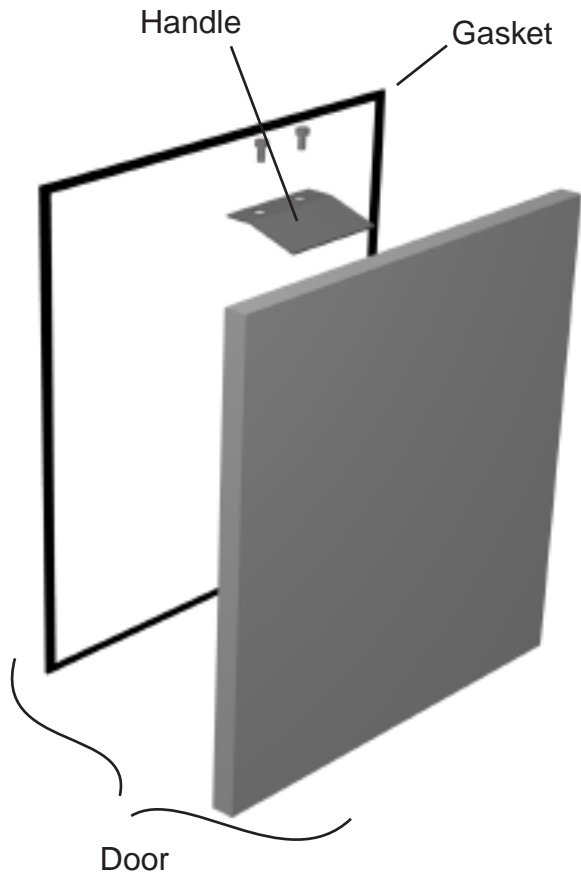


All right and left doors.

E.

Door Parts

TUC/TWT-27, 36, 48, 72



F.

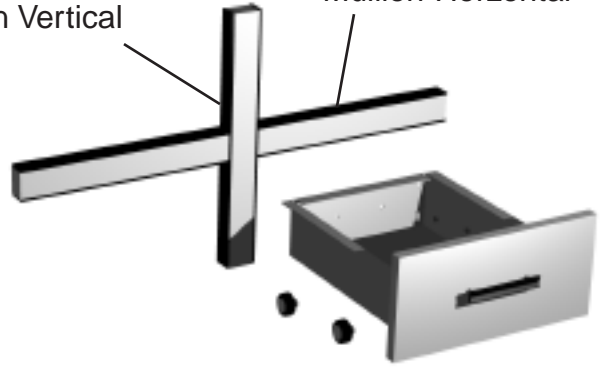
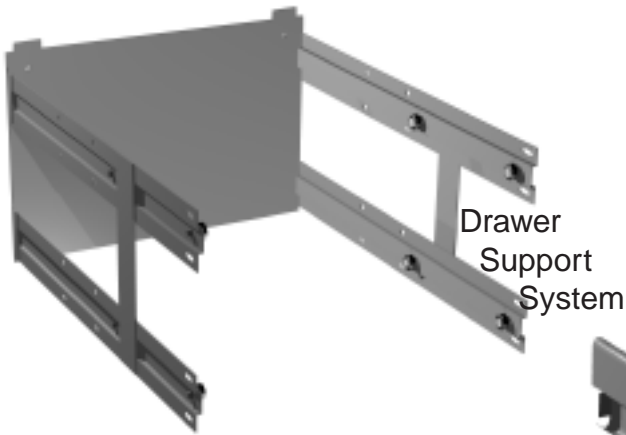
Drawer Parts

All Models

Mullion parts pictured with doors.

Mullion Vertical

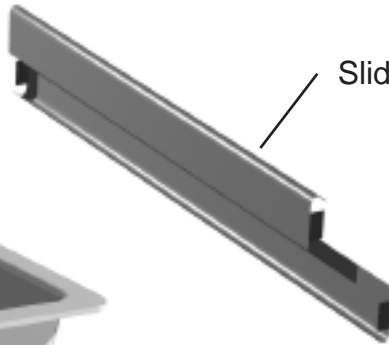
Mullion-Horizontal



Drawer Support System

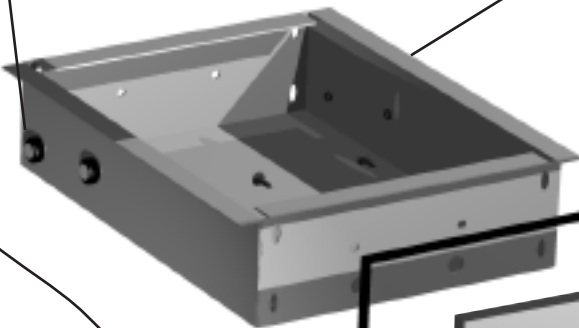
Slide, Drawer

Pan, Drawer



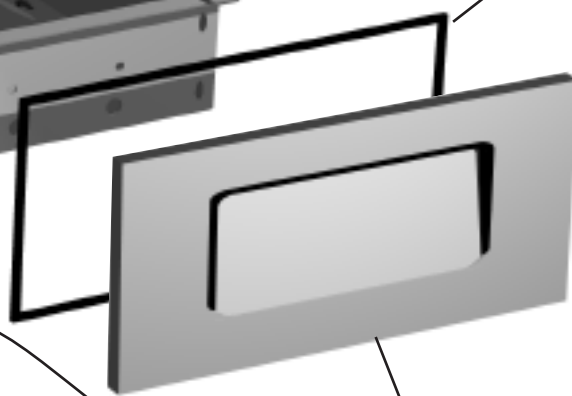
Roller Drawer

Frame, Drawer



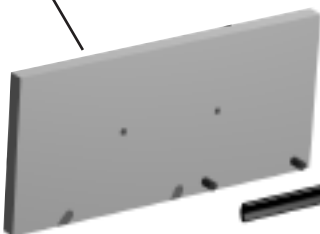
Gasket Drawer

Drawer



Panel, Drawer

Panel Drawer Front Recessed Model

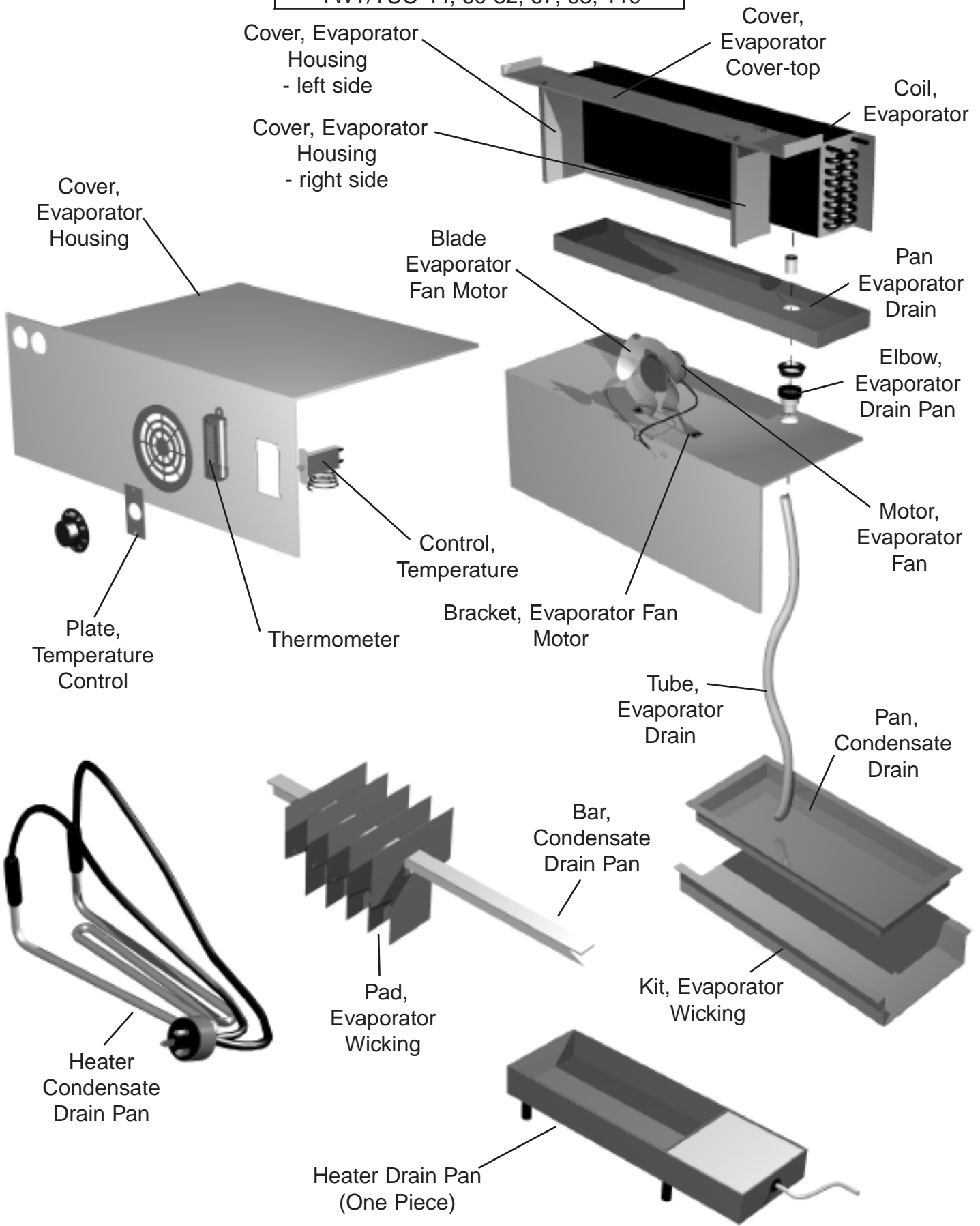


Handle, Drawer



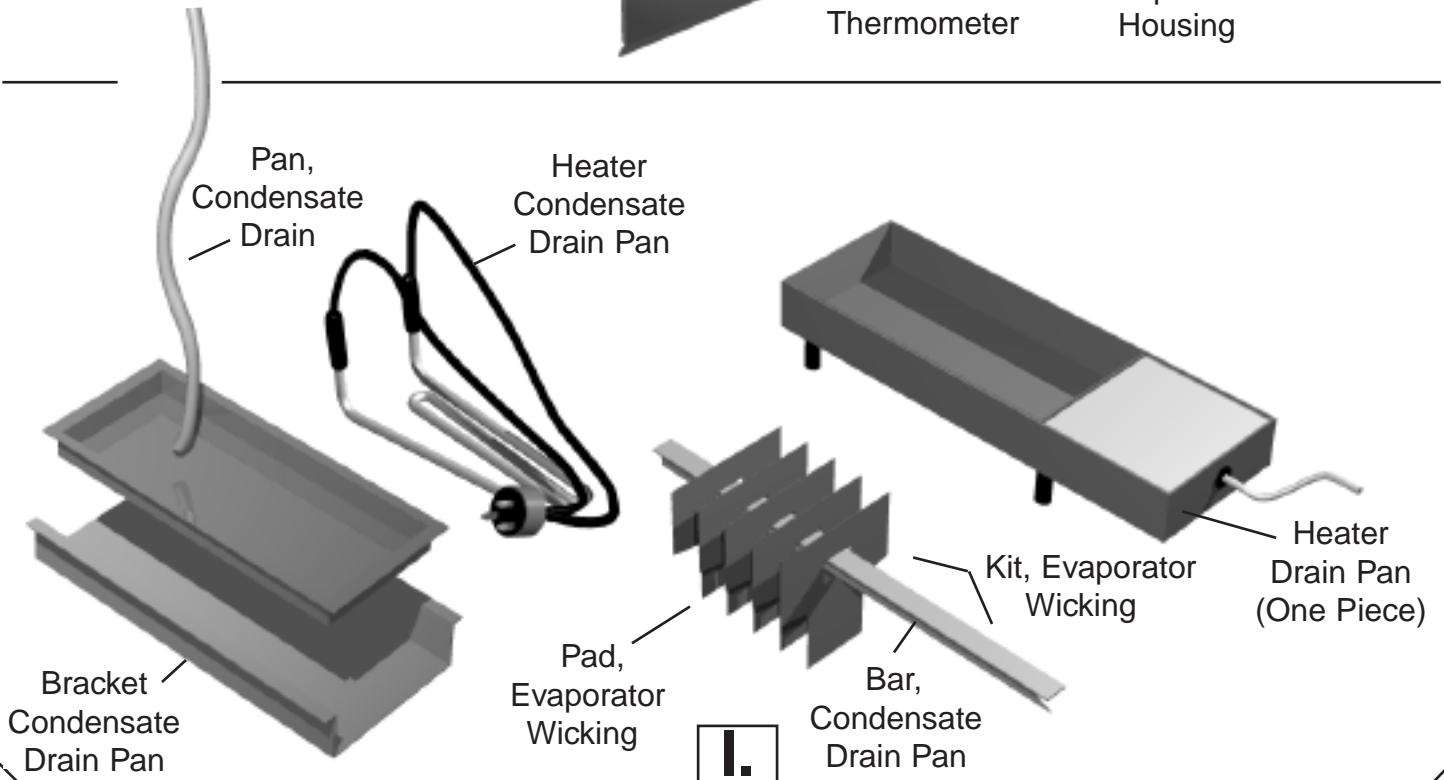
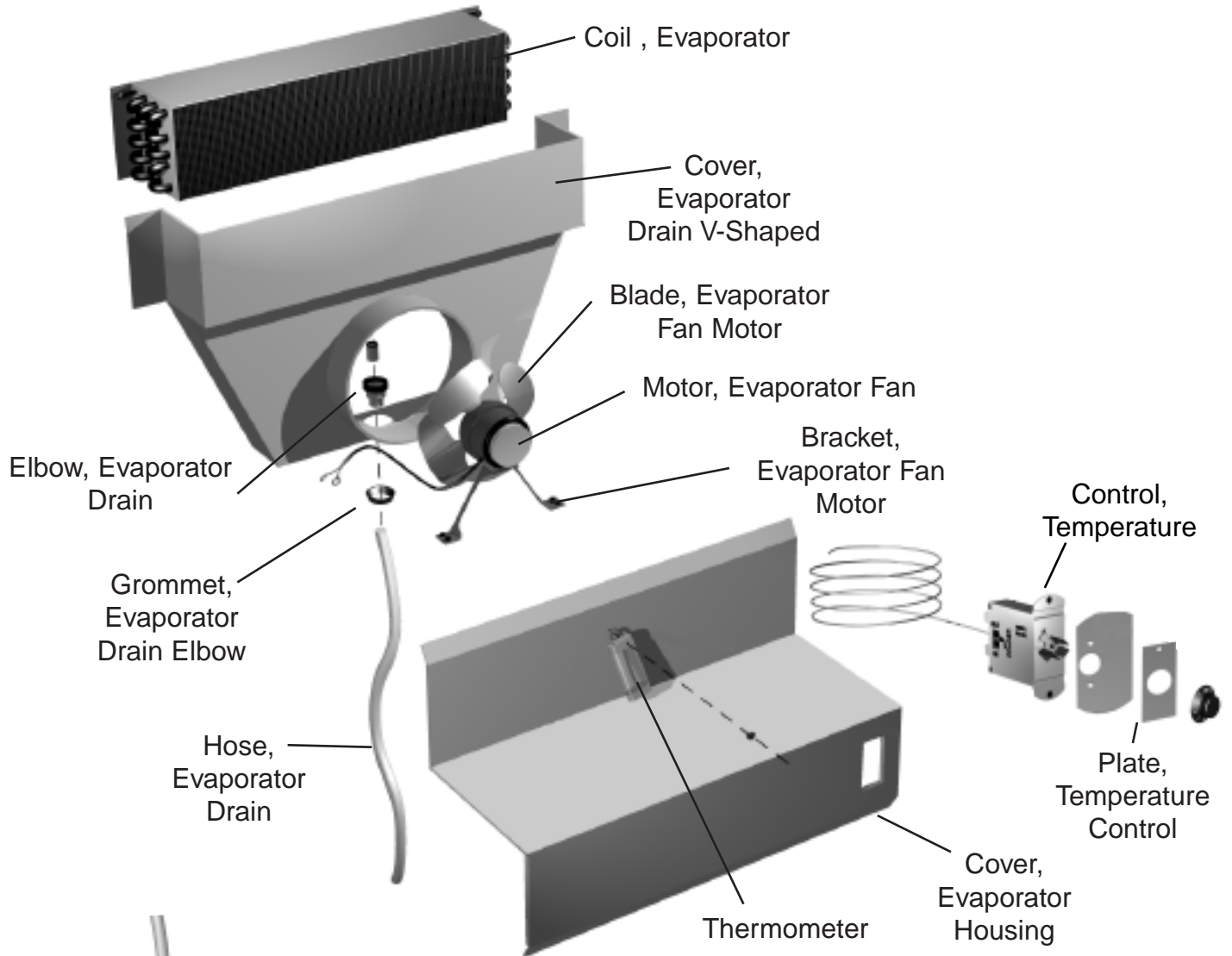
Evaporator Parts

TWT/TUC-44, 60-32, 67, 93, 119



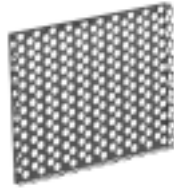
Evaporator Parts

TWT/TUC-27, 36, 48, 60, 72



Grill Parts

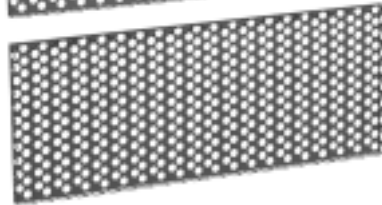
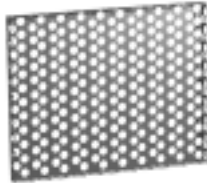
Grill Assembly-Back
(TWT/TUC-44, 60-32, 67, 93,
119 models)



Grill Assembly-Front
(TWT/TUC-44, 60-32,
67, 93, 119 models)



Grill Assembly-Back
(TWT/TUC-27, 36,
48, 60, 72 models)



Lighting Parts

TUC/TWT Models

Lampholders



842055



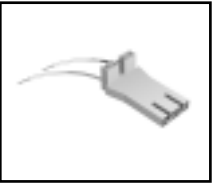
842063



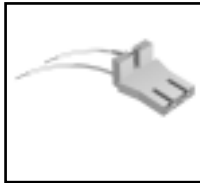
801224



801223



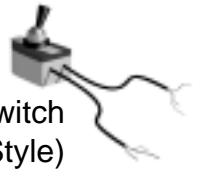
LR-110



LR-88



542 (9" lead)
801264



Light Switch
(Toggle Style)



Switch, Light
(Rocker Style)



Lamp



Base, Light Starter
Spacer 842049



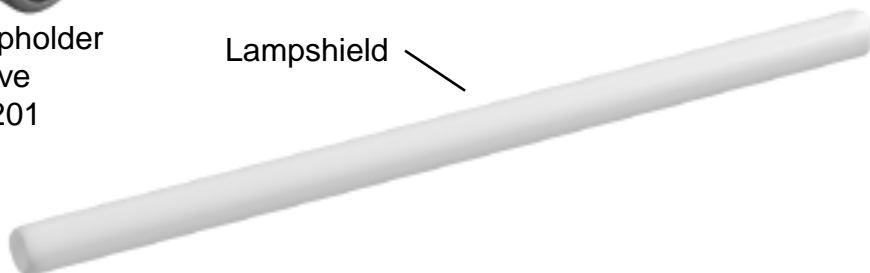
Ballast
842211 ELXC 118.440
842057 L15.107



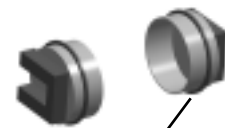
Starter
57-111
842114



Lampholder
Sleeve
842201



Lampshield



Lampshield End Cap



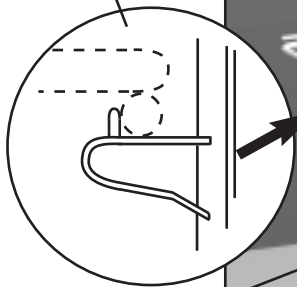
Lampshield,
End Caps 801253

K.

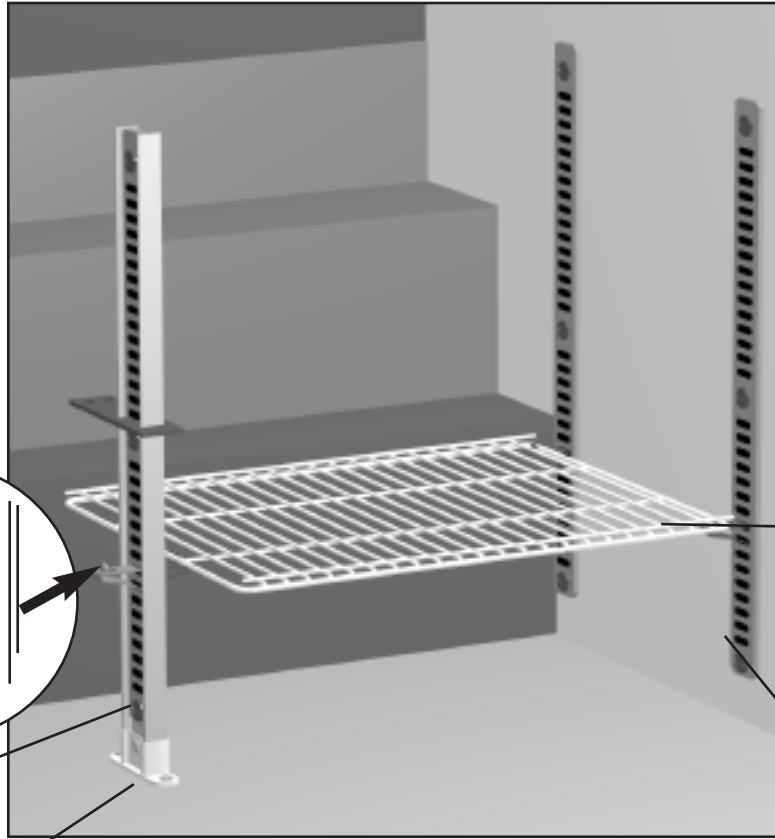
Shelf Parts

TUC & TWT

Clip, Shelf



Shelf Standard (Center)



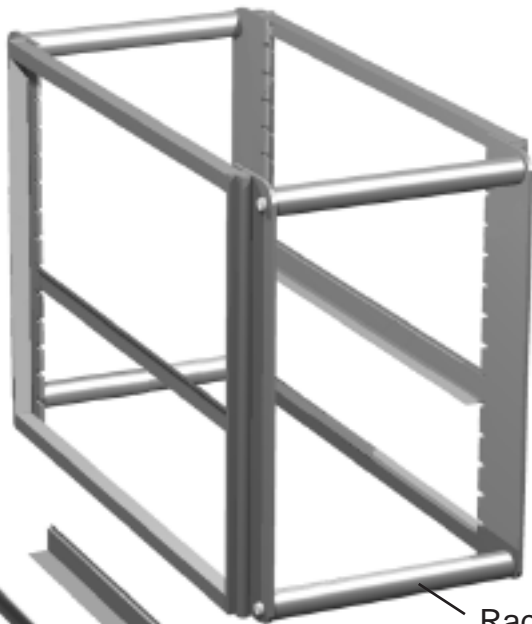
Shelf

Shelf Standard

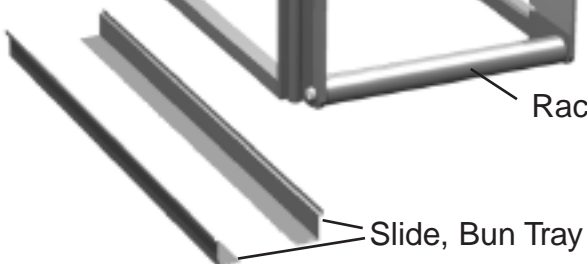
TUC & TWT-27, 36, 48, 60, 72

Bracket, Shelf Standard

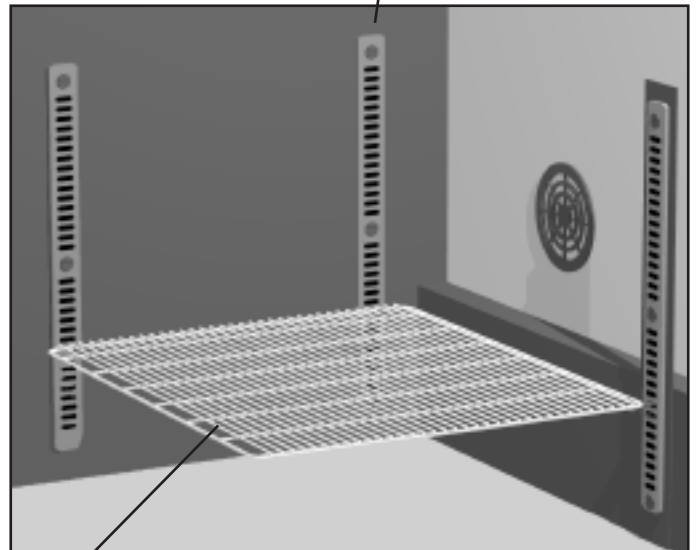
Shelf Standard



Rack, Bun Tray



Slide, Bun Tray



Shelf

TUC & TWT-44, 60-32, 67, 93, 119 interior

